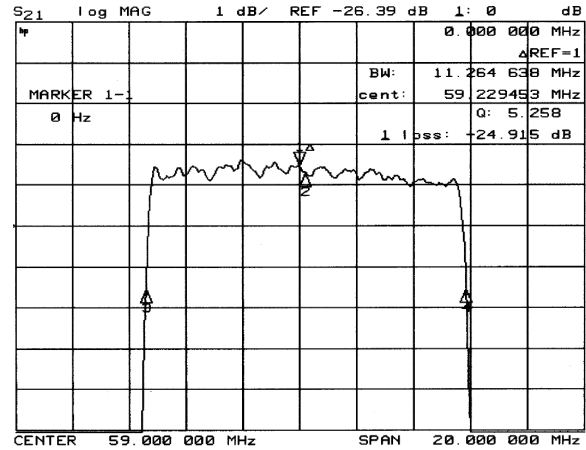
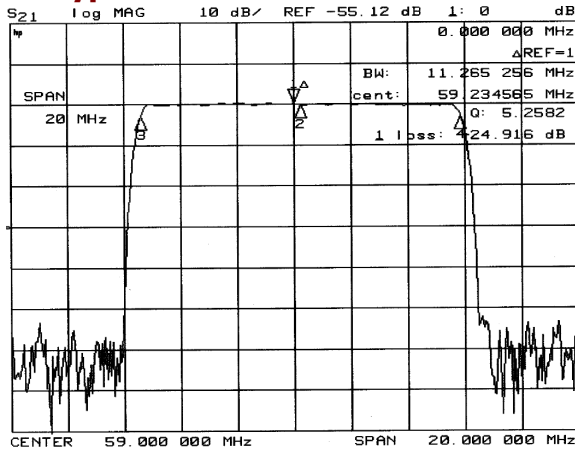


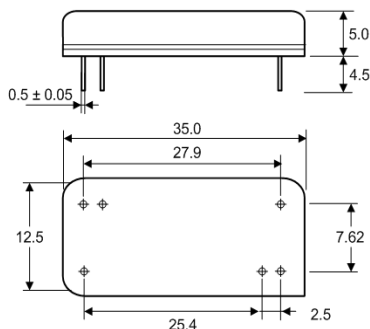
### Typical Performance



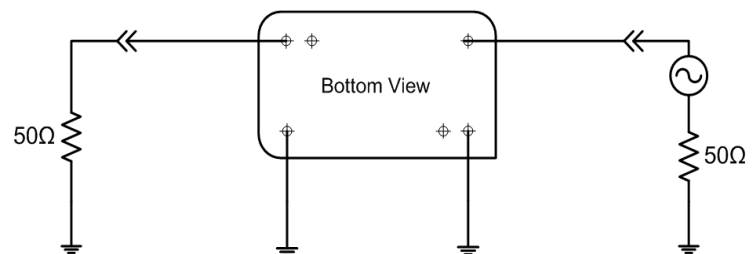
### Specification

Index	Unit	Min	Typical	Max
Center Frequency	MHz	59.20	59.25	59.30
Insertion Loss	dB	-	24.5	26.0
1 dB Bandwidth	MHz	-	-	-
3 dB Bandwidth	MHz	11.00	11.25	-
40 dB Bandwidth	MHz	-	12.35	12.55
Passband Ripple	dB	-	0.65	1.00
Group Delay Variation	nsec	-	70	100
Absolute Delay	μsec	-	2.90	-
Ultimate Rejection	dB	50	55	-
Substrate Material	-	128-LiNbO3		
Temperature Coefficient	ppm/°C	-72		
Package	mm	35		

### Package Dimension



### Matching Configuration



No Matching required  
Source / Load Impedance = 50Ω  
Ambient Temperature = 25°C