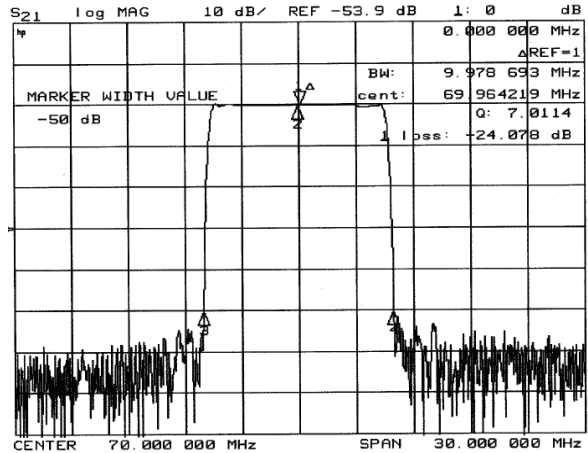
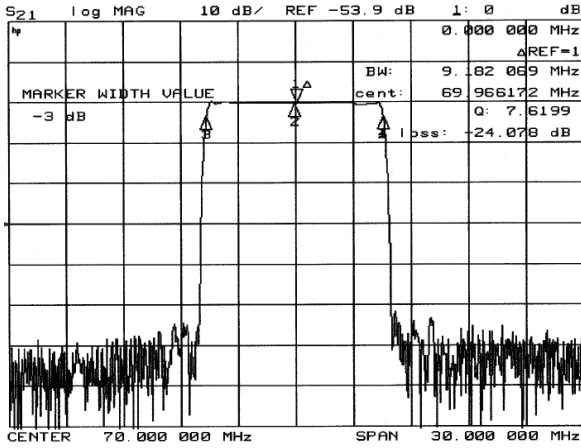


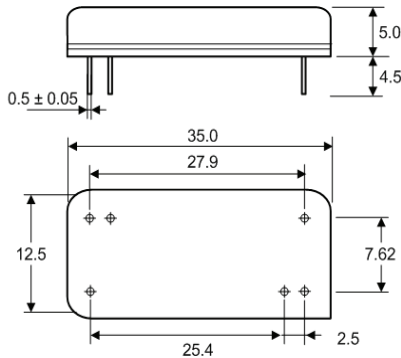
### Typical Performance



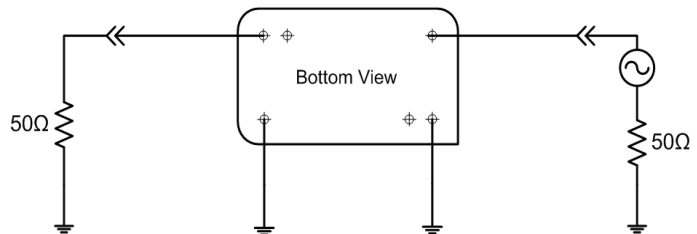
### Specification

Index	Unit	Min	Typical	Max
Center Frequency	MHz	69.92	70	70.08
Insertion Loss	dB	-	24	25.5
1 dB Bandwidth	MHz	-	-	-
3 dB Bandwidth	MHz	9	9.18	-
40 dB Bandwidth	MHz	-	9.9	10
Passband Ripple	dB	-	0.75	1
Group Delay Variation	nsec	-	100	200
Absolute Delay	μsec	-	3.98	-
Ultimate Attenuation	dB	50	60	-
Substrate Material		YZ-LiNbO3		
Temperature Coefficient	ppm/°C	-94		
Package	mm	0		

### Package Dimension



### Matching Configuration



No matching required  
Source / Load Impedance = 50Ω  
Ambient Temperature = 25°C