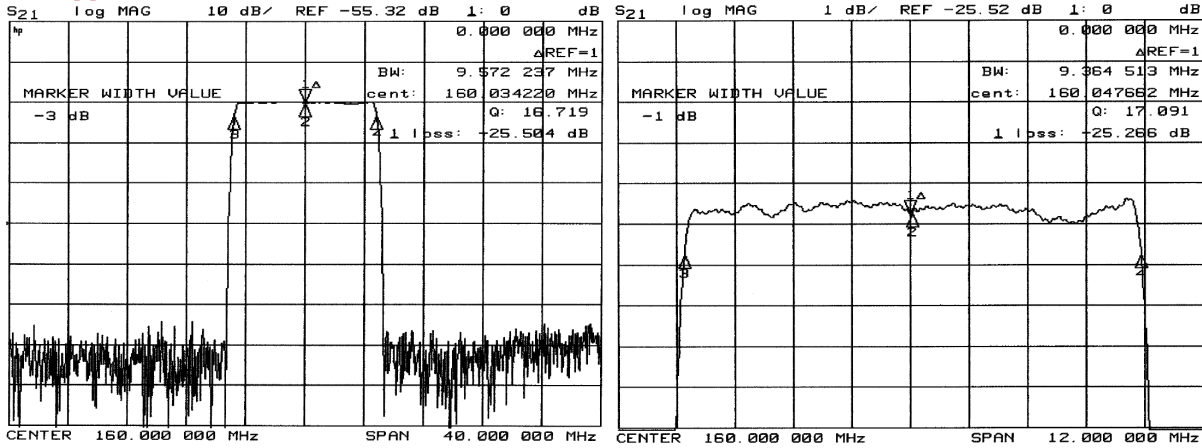


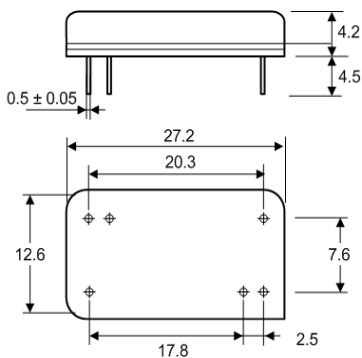
Typical Performance



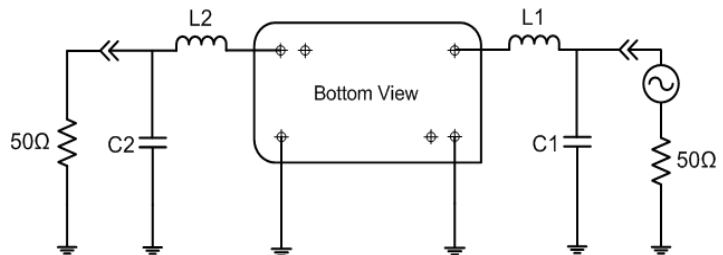
Specification

Index	Unit	Min	Typical	Max
Center Frequency	MHz	158.80	160.00	160.20
Insertion Loss	dB	-	25.5	26.5
1 dB Bandwidth	MHz	9.20	9.34	-
3 dB Bandwidth	MHz	9.40	9.54	-
40 dB Bandwidth	MHz	-	10.48	10.70
Passband Ripple	dB	-	0.65	1.00
Group Delay Variation	nsec	-	100	200
Absolute Delay	μsec	-	3.70	-
Ultimate Rejection	dB	50	55	-
Substrate Material	-	LiTaO ₃		
Temperature Coefficient	ppm/°C	-20		
Package	mm	27		

Package Dimension



Matching Configuration



L1=L2=27nH, C1=C2=33pF
Source / Load Impedance = 50Ω
Ambient Temperature = 25°C