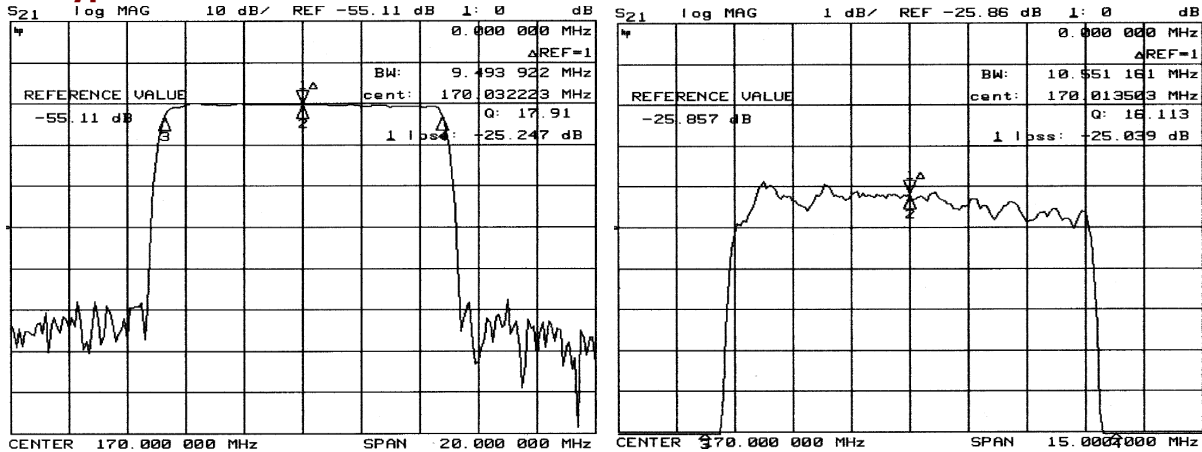


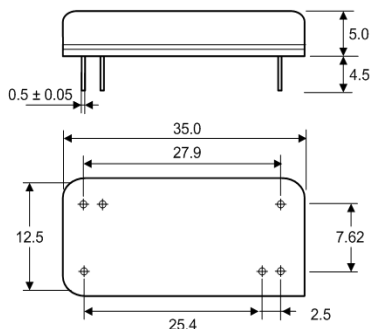
Typical Performance



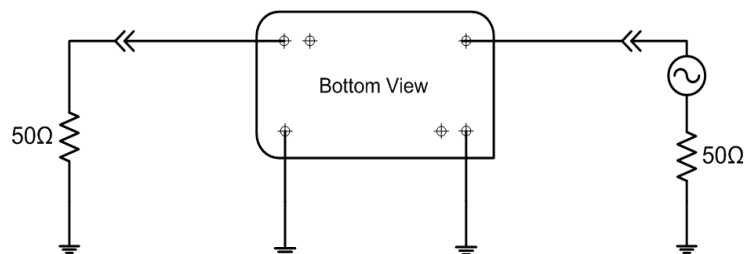
Specification

Index	Unit	Min	Typical	Max
Center Frequency	MHz	169.90	170.00	170.10
Insertion Loss	dB	-	25.0	27.0
1 dB Bandwidth	MHz	-	-	-
3 dB Bandwidth	MHz	9.30	9.50	-
40 dB Bandwidth	MHz	-	10.55	10.85
Passband Ripple	dB	-	1.00	1.20
Group Delay Variation	nsec	-	150	200
Absolute Delay	µsec	-	2.90	-
Ultimate Rejection	dB	45	50	-
Substrate Material	-	YZ-LiNbO3		
Temperature Coefficient	ppm/°C	-94		
Package	mm	35		

Package Dimension



Matching Configuration



No matching required
Source / Load Impedance = 50Ω
Ambient Temperature = 25°C