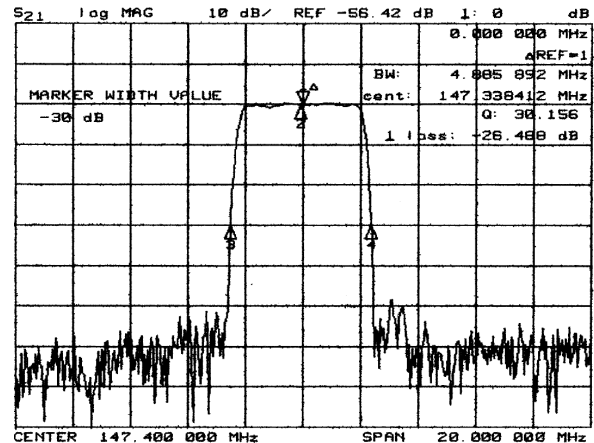
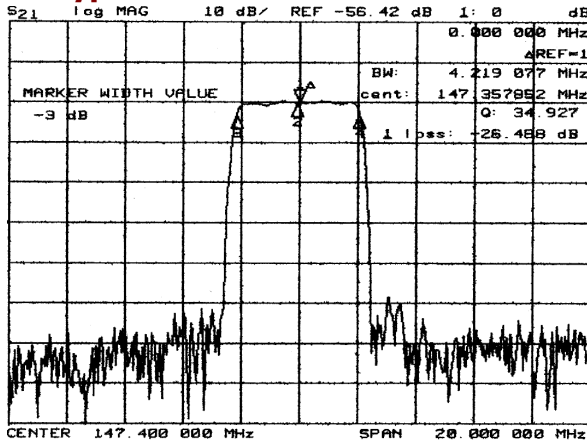


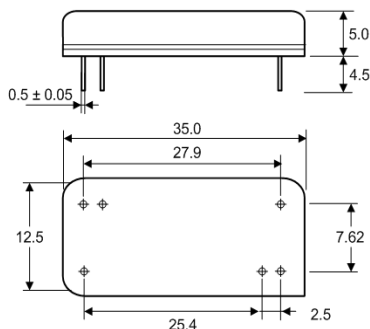
### Typical Performance



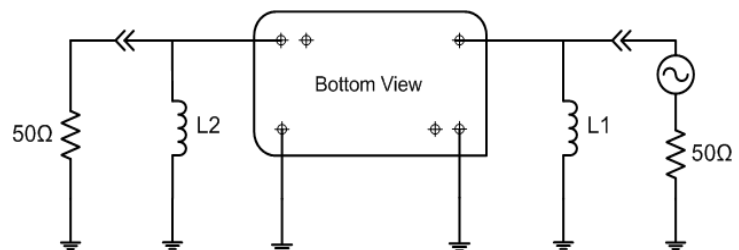
### Specification

Index	Unit	Min	Typical	Max
Center Frequency	MHz	147.00	147.20	147.40
Insertion Loss	dB	-	26.5	28.0
1 dB Bandwidth	MHz	4.00	4.06	-
3 dB Bandwidth	MHz	4.20	4.22	-
40 dB Bandwidth	MHz	-	4.88	5.00
Passband Ripple	dB	-	1.00	1.30
Group Delay Variation	nsec	-	200	300
Absolute Delay	µsec	-	4.90	-
Ultimate Rejection	dB	45	50	-
Substrate Material	-	112-LiTaO3		
Temperature Coefficient	ppm/°C	-20		
Package	mm	35		

### Package Dimension



### Matching Configuration



L1=10nH, L2=33nH  
Source / Load Impedance = 50Ω  
Ambient Temperature = 25°C