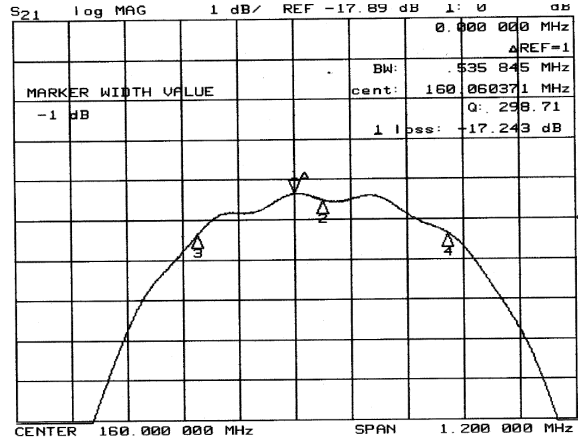
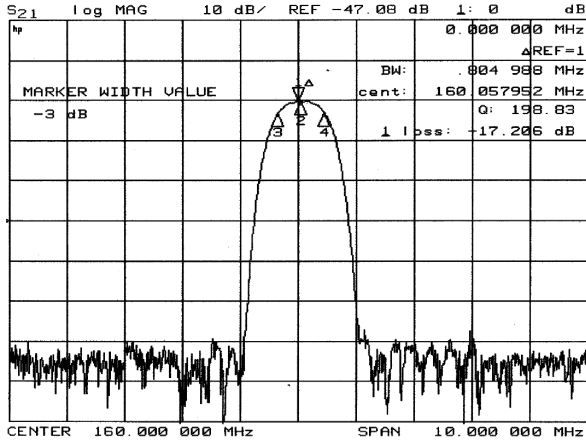


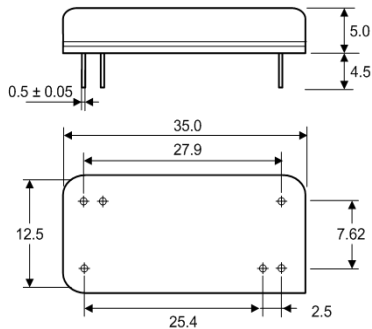
### Typical Performance



### Specification

Index	Unit	Min	Typical	Max
Center Frequency	MHz	159.85	160.00	160.15
Insertion Loss	dB	-	17.5	19.0
1 dB Bandwidth	MHz	0.50	0.53	-
3 dB Bandwidth	MHz	0.75	0.80	-
40 dB Bandwidth	MHz	-	1.76	2.00
Passband Ripple	dB	-	0.55	1.00
Group Delay Variation	nsec	-	200	300
Absolute Delay	µsec	-	3.05	-
Ultimate Rejection	dB	50	60	-
Substrate Material	-	Quartz		
Temperature Coefficient	ppm/°C	-0.03		
Package	mm	35		

### Package Dimension



### Matching Configuration

