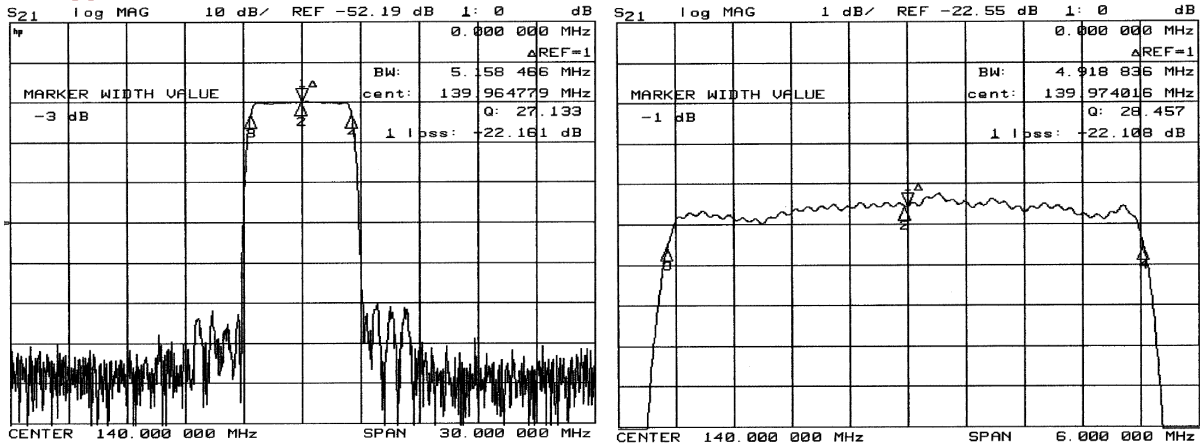


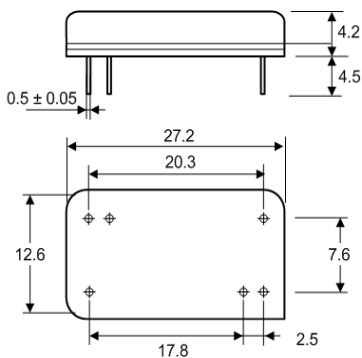
### Typical Performance



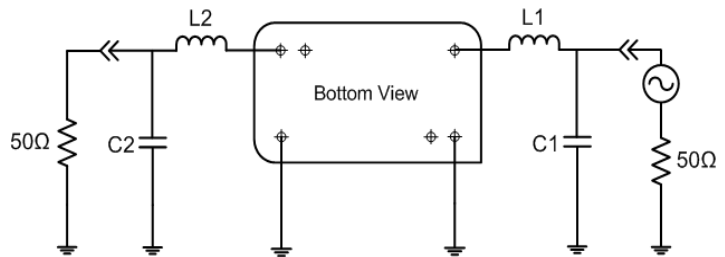
### Specification

Index	Unit	Min	Typical	Max
Center Frequency	MHz	139.85	140.00	140.15
Insertion Loss	dB	-	22.0	23.5
1 dB Bandwidth	MHz	4.80	4.92	-
3 dB Bandwidth	MHz	5.00	5.15	-
40 dB Bandwidth	MHz	-	6.20	6.30
Passband Ripple	dB	-	0.65	1.00
Group Delay Variation	nsec	-	100	200
Absolute Delay	µsec	-	3.70	-
Ultimate Rejection	dB	50	60	-
Substrate Material	-	LiTaO3		
Temperature Coefficient	ppm/°C	-20		
Package	mm	27		

### Package Dimension



### Matching Configuration



L1=27nH, L2=33nH, C1=36pF, C2=30pF  
 Source / Load Impedance = 50Ω  
 Ambient Temperature = 25°C