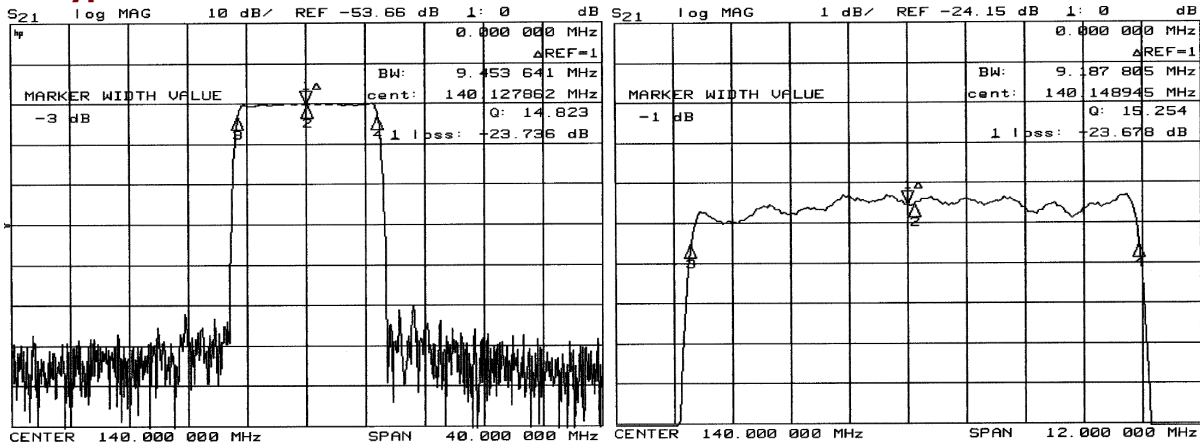


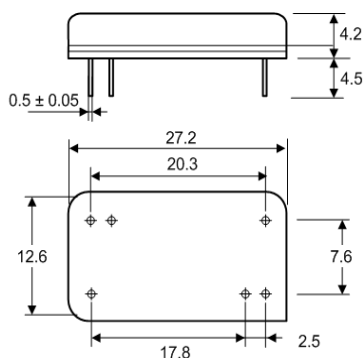
Typical Performance



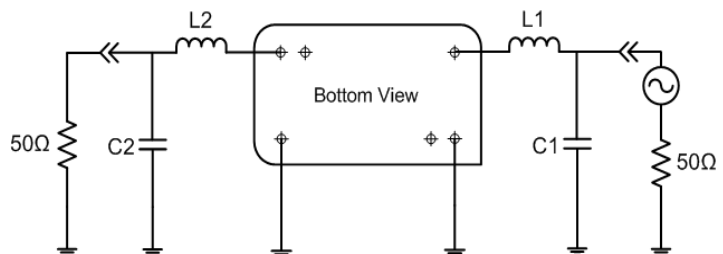
Specification

Index	Unit	Min	Typical	Max
Center Frequency	MHz	139.85	140.00	140.15
Insertion Loss	dB	-	23.5	25.0
1 dB Bandwidth	MHz	9.00	9.18	-
3 dB Bandwidth	MHz	9.40	9.45	-
40 dB Bandwidth	MHz	-	10.50	10.60
Passband Ripple	dB	-	0.75	1.00
Group Delay Variation	nsec	-	100	200
Absolute Delay	µsec	-	3.40	-
Ultimate Rejection	dB	50	60	-
Substrate Material	-	LiTaO3		
Temperature Coefficient	ppm/°C	-20		
Package	mm	27		

Package Dimension



Matching Configuration



L1=33nH, L2=47nH, C1=36pF, C2=39pF
Source / Load Impedance = 50Ω
Ambient Temperature = 25°C