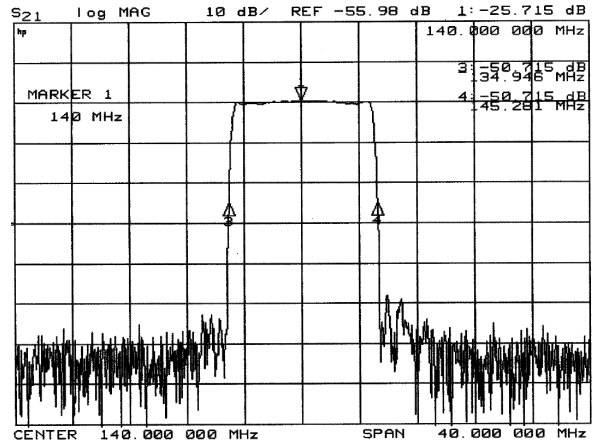
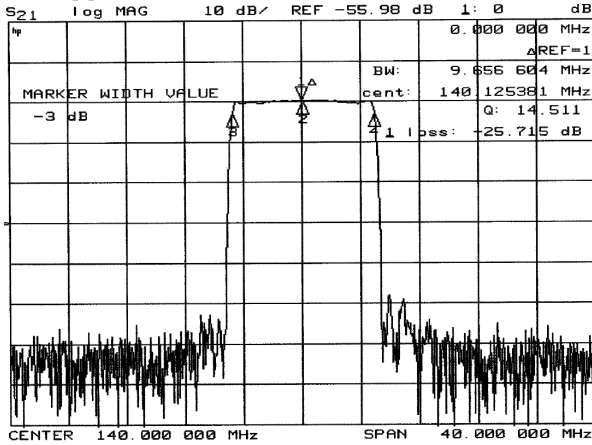


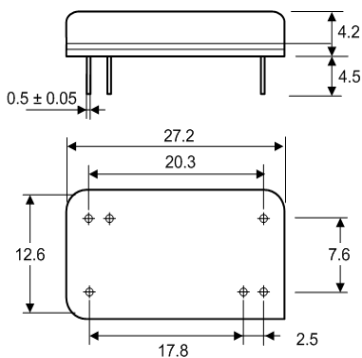
### Typical Performance



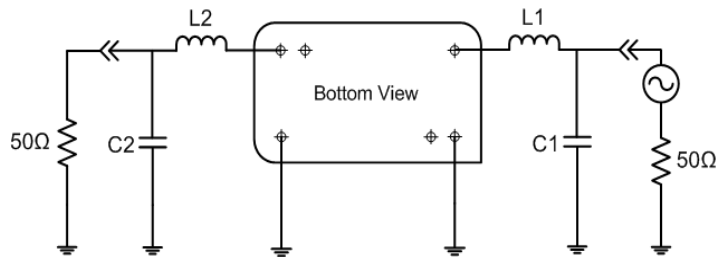
### Specification

Index	Unit	Min	Typical	Max
Center Frequency	MHz	-	140.00	-
Insertion Loss	dB	-	26.0	28.0
1 dB Bandwidth	MHz	9.37	9.43	-
Rejection				
5.2 ≤ f_offset < 6.0 MHz	dB	25.00		
6.0 ≤ f_offset < 10.0 MHz		30.00		
10.0 ≤ f_offset < 15.0 MHz		35.00		
15.0 ≤ f_offset		40.00		
Passband Ripple	dB	-	0.90	1.50
Absolute Delay	μsec	-	3.70	-
Substrate Material	-	LiTaO3		
Package	mm		27	

### Package Dimension



### Matching Configuration



L1=L2=33nH, C1=36pF, C2=15pF  
 Source / Load Impedance = 50Ω  
 Ambient Temperature = 25°C