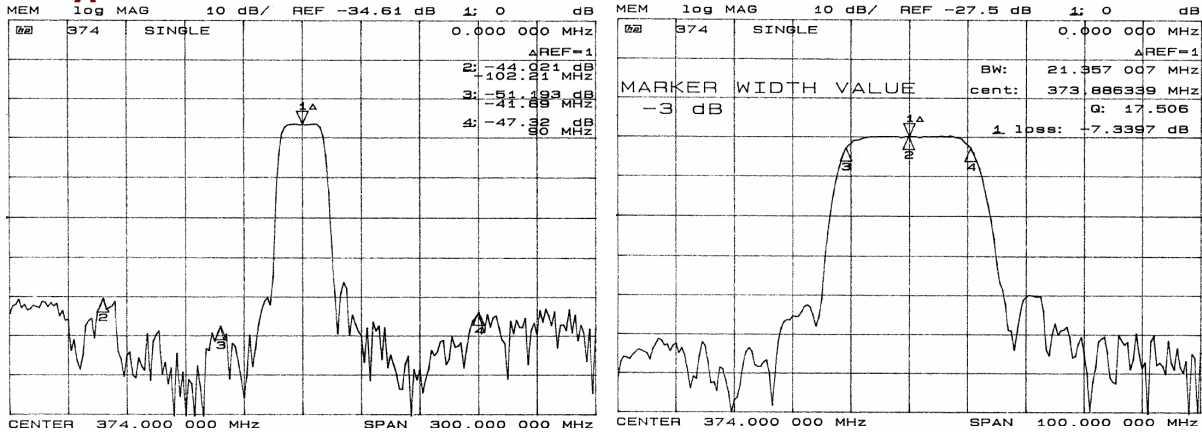


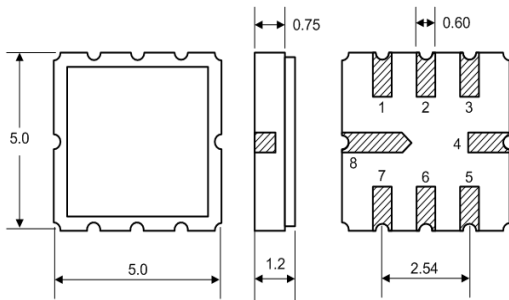
Typical Performance



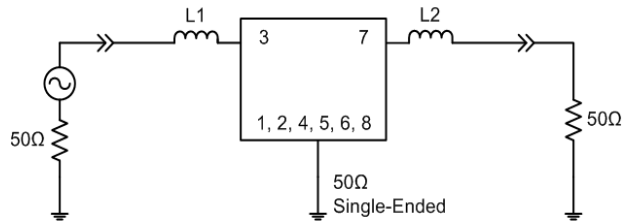
Specification

Index	Unit	Min	Typical	Max
Center Frequency	MHz	-	374.00	-
Insertion Loss	dB	-	8.5	10.0
3 dB Bandwidth	MHz	17.00	16.60	-
Amplitude Ripple at $F_c \pm 7\text{MHz}$	dB	-	0.50	1.00
Group Delay Ripple at $F_c \pm 7\text{MHz}$	nsec	-	30.00	100.00
Triple Transit suppression	dB	30.00	40.00	-
Ultimate Attenuation	dB	33	40	100
390.5MHz~392MHz	dB	33	46	-
392MHz~396MHz	dB	35	40	-
Substrate Material	-	YZ-LiNbO3		
Temperature Coefficient	ppm/°C	-94		
Package	mm	5.0 x 5.0 x 1.2		

Package Dimension



Matching Configuration



L1=16nH. L2=12nH
Source / Load Impedance = 50Ω
Ambient Temperature = 25°C