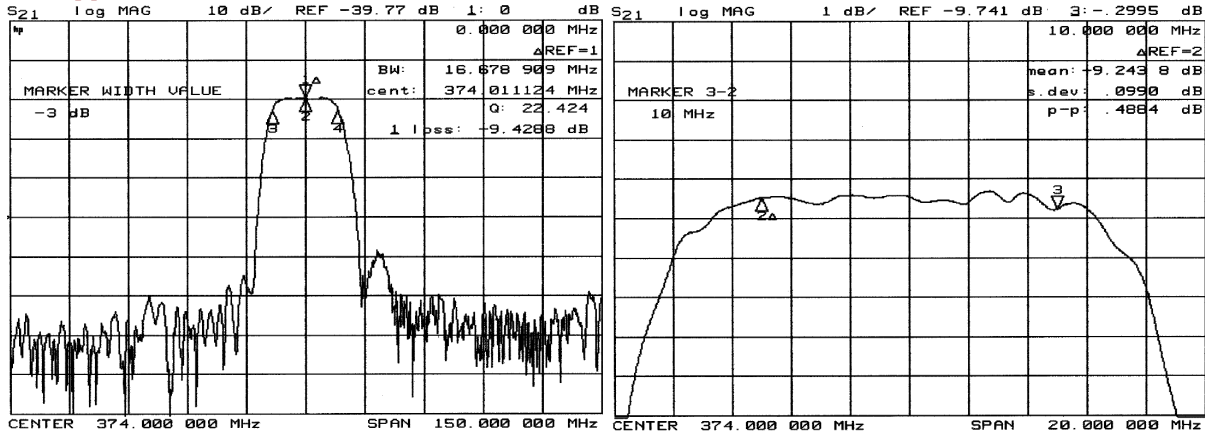


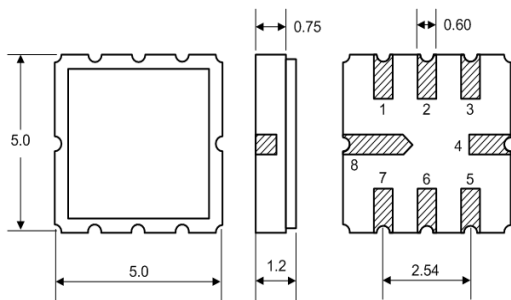
Typical Performance



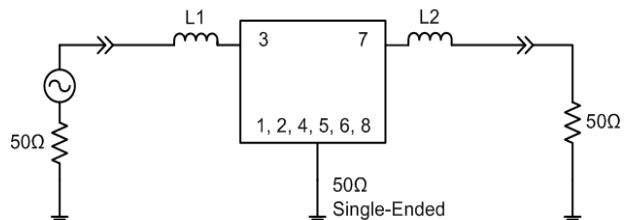
Specification

Index	Unit	Min	Typical	Max
Center Frequency	MHz	-	374.00	-
Insertion Loss	dB	-	9.5	10.5
1 dB Bandwidth	MHz	-	-	-
3 dB Bandwidth	MHz	16.60	-	-
40 dB Bandwidth	MHz	-	-	5.10
Passband Ripple	dB	-	0.50	1.00
Group Delay Variation	nsec	-	30	100
Absolute Delay	µsec	-	-	-
Ultimate Rejection	dB	33	41	-
Substrate Material	-	YZ-LiNbO3		
Temperature Coefficient	ppm/°C	-94		
Package	mm	5.0 x 5.0 x 1.2		

Package Dimension



Matching Configuration



L1=L2=6.8nH
 Source / Load Impedance = 50Ω
 Ambient Temperature = 25°C