



10523 Clasico Court, San Diego CA 92127, USA

S515029

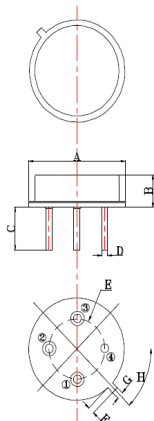
480.00 MHz Bandpass Filter 17.0 MHz Bandwidth

● Typical Performance

● Specification

Index	Unit	Min	Typical	Max
Center Frequency	MHz	-	480.00	-
Insertion Loss	dB	-	23.5	-
1 dB Bandwidth	MHz	-	-	-
3 dB Bandwidth	MHz	17.00	19.80	-
40 dB Bandwidth	MHz	-	-	-
Passband Ripple	dB	-	0.45	1.00
Group Delay Variation	nsec	-	281	-
Absolute Delay	µsec	-	-	-
Ultimate Rejection	dB	40	48	-
Substrate Material	-	-	-	-
Temperature Coefficient	ppm/°C	-	-	-
Package	mm	T39		

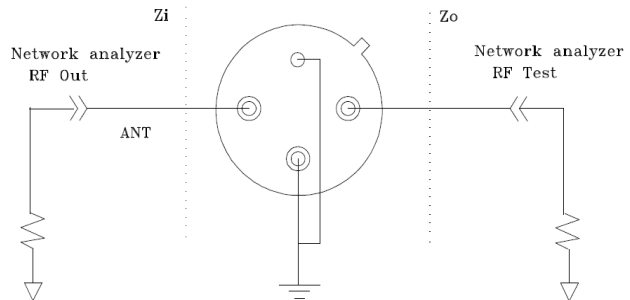
● Package Dimension



DIM	MILLIMETERS
A	ø9.14±0.05
B	3.5 MAX
C	2.5±0.5
D	0.45±0.05
E	ø5.08±0.15
F	0.85±0.15
G	0.85±0.15
H	45°

PIN NO.	FUNCTION
①	ANT
②	PORT 1
③	PORT 2
④	GND

● Matching Configuration



No matching required
Source / Load Impedance = 50Ω
Ambient Temperature = 25°C

Email: sales@sawtron.com | Tel: 1-858-674-6434 | Fax 1-619-374-7262