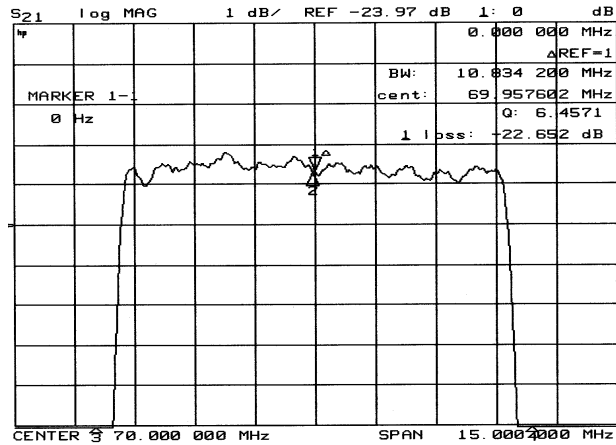
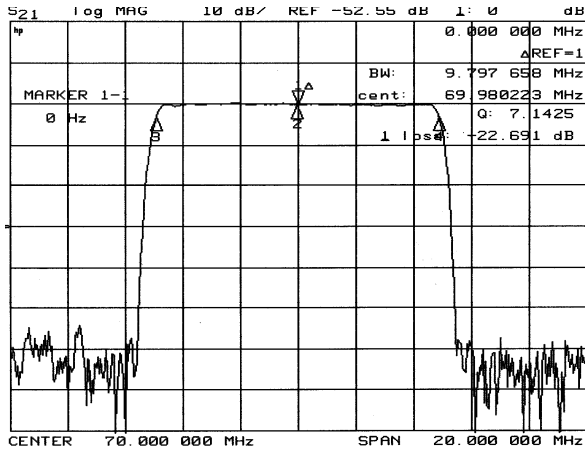


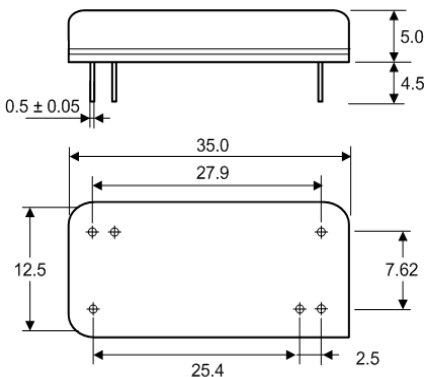
Typical Performance



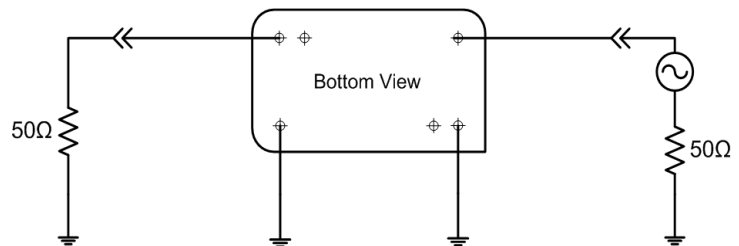
Specification

Index	Unit	Min	Typical	Max
Center Frequency	MHz	69.94	70	70.06
Insertion Loss	dB	-	23	24.5
1 dB Bandwidth	MHz	-	-	-
3 dB Bandwidth	MHz	9.6	9.8	-
40 dB Bandwidth	MHz	-	10.85	11
Passband Ripple	dB	-	0.75	1
Group Delay Variation	nsec	-	80	120
Absolute Delay	µsec	-	2.9	-
Ultimate Attenuation	dB	50	55	-
Substrate Material		128- LiNbO3		
Temperature Coefficient	ppm/°C	-72		
Package	mm	-		

Package Dimension



Matching Configuration



No matching required
 Source / Load Impedance = 50Ω
 Ambient Temperature = 25°C