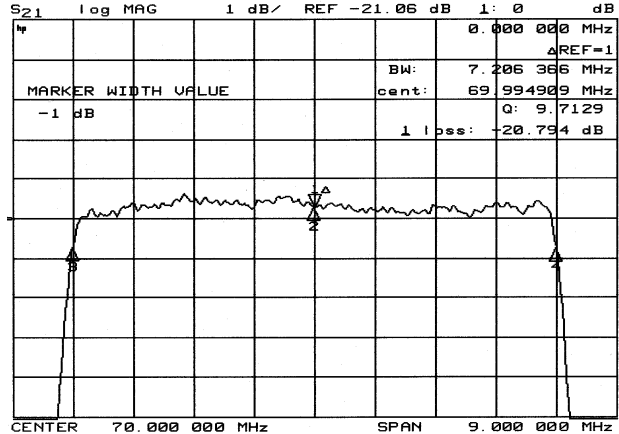
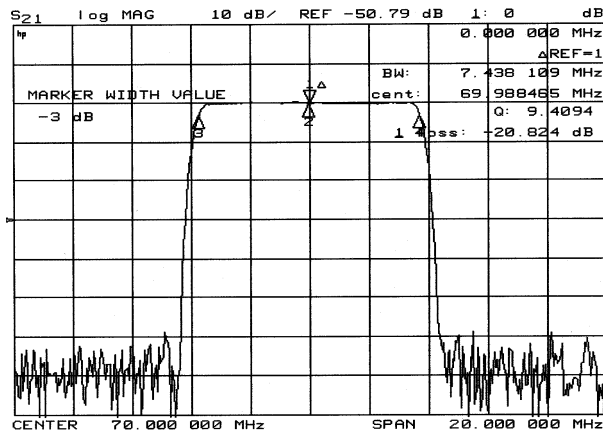


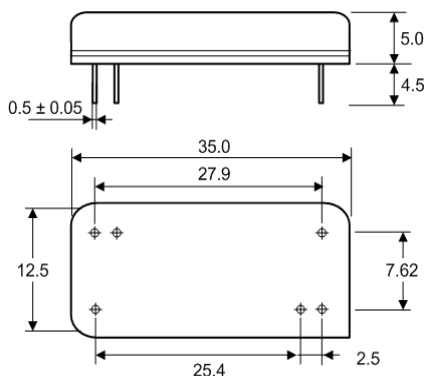
### Typical Performance



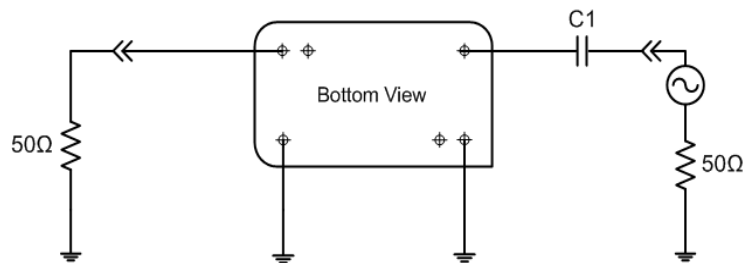
### Specification

Index	Unit	Min	Typical	Max
Center Frequency	MHz	69.92	70	70.08
Insertion Loss	dB	-	21	22.5
1 dB Bandwidth	MHz	-	-	-
3 dB Bandwidth	MHz	7.3	7.45	-
40 dB Bandwidth	MHz	-	8.6	8.7
Passband Ripple	dB	-	0.55	1
Group Delay Variation	nsec	-	150	200
Absolute Delay	µsec	-	3.25	-
Ultimate Attenuation	dB	50	60	-
Substrate Material		128-LiNbO3		
Temperature Coefficient	ppm/°C	-72		
Package	mm	-		

### Package Dimension



### Matching Configuration



No Matching Required  
 Source / Load Impedance = 50Ω  
 Ambient Temperature = 25°C