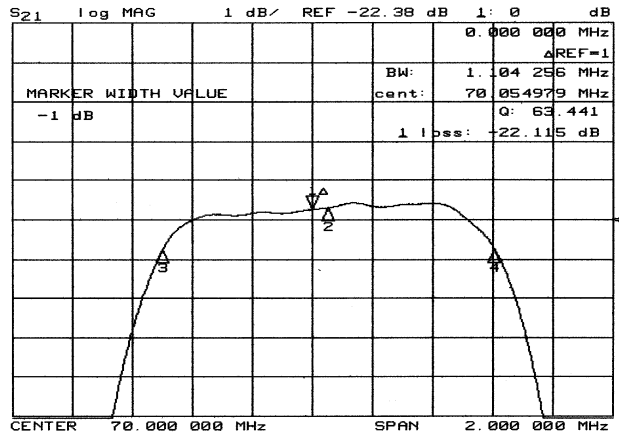
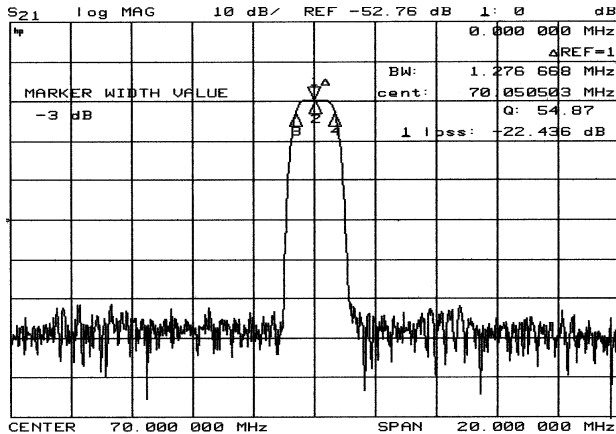


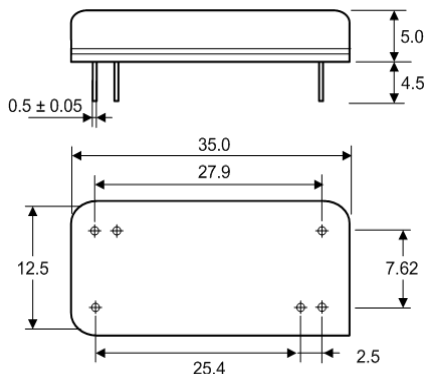
Typical Performance



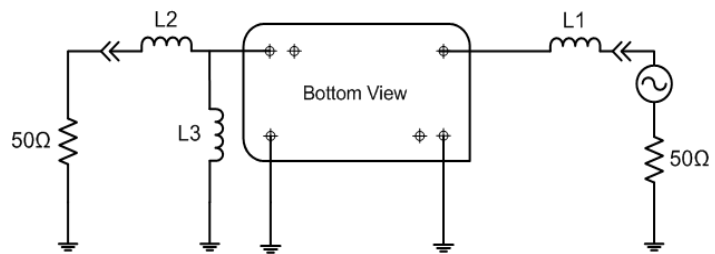
Specification

Index	Unit	Min	Typical	Max
Center Frequency	MHz	69.95	70	70.05
Insertion Loss	dB	-	22.5	24
1 dB Bandwidth	MHz	1	1.1	-
3 dB Bandwidth	MHz	1.23	1.27	-
40 dB Bandwidth	MHz	-	2.05	2.3
Passband Ripple	dB	-	0.55	1
Group Delay Variation	nsec	-	150	250
Absolute Delay	μsec	-	3.2	-
Ultimate Attenuation	dB	50	55	-
Substrate Material		Quartz		
Temperature Coefficient	ppm/°C	-0.03		
Package	mm	-		

Package Dimension



Matching Configuration



L1=L2=180nH, L3=330nH
 Source / Load Impedance = 50Ω
 Ambient Temperature = 25°C