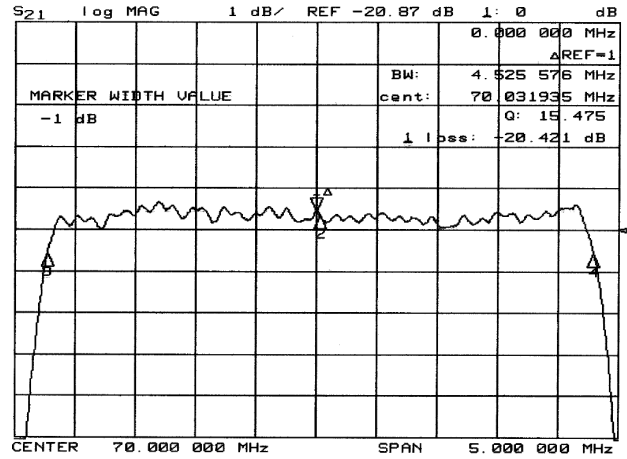
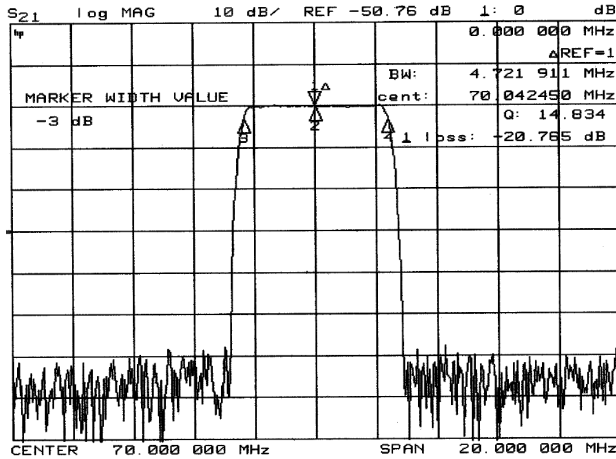


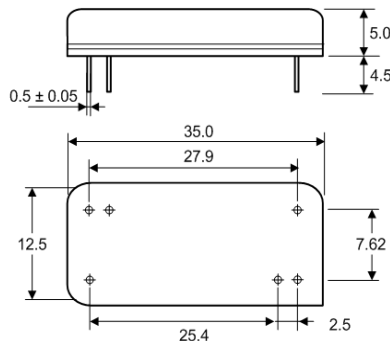
Typical Performance



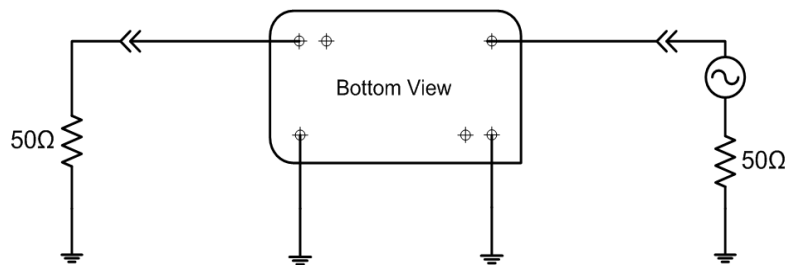
Specification

Index	Unit	Min	Typical	Max
Center Frequency	MHz	69.92	70.00	70.08
Insertion Loss	dB	-	21.0	22.5
1 dB Bandwidth	MHz	4.30	4.50	-
3 dB Bandwidth	MHz	4.50	4.73	-
40 dB Bandwidth	MHz	-	5.61	5.80
Passband Ripple	dB	-	0.65	1.00
Group Delay Variation	nsec	-	200	300
Absolute Delay	µsec	-	3.82	-
Ultimate Rejection	dB	50	60	-
Substrate Material	-	YZ-LiNbO3		
Temperature Coefficient	ppm/°C	-94		
Package	mm	35		

Package Dimension



Matching Configuration



No matching required
 Source / Load Impedance = 50Ω
 Ambient Temperature = 25°C