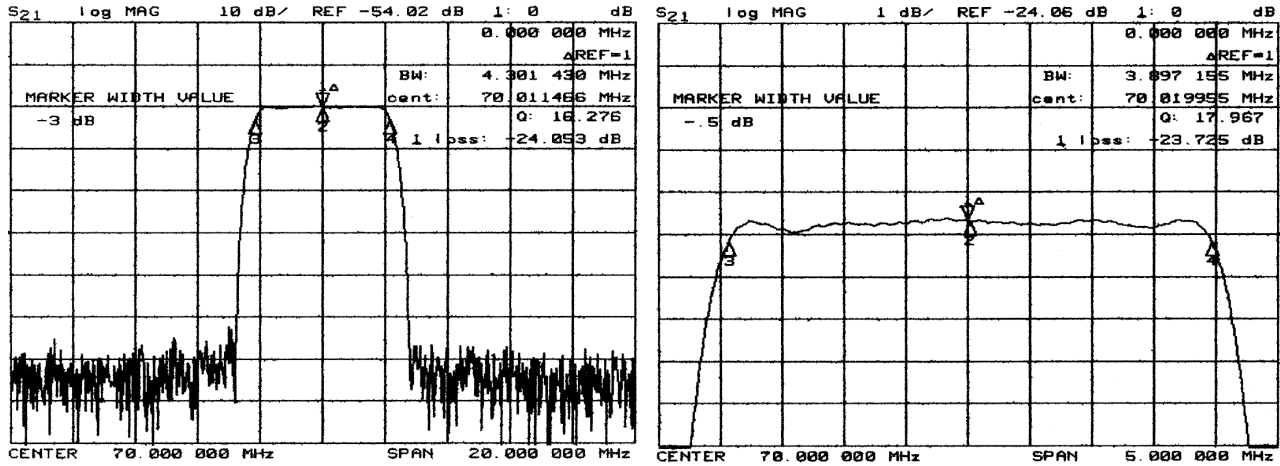


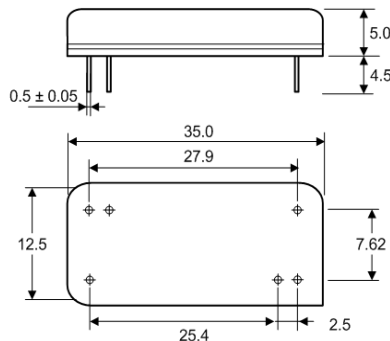
### Typical Performance



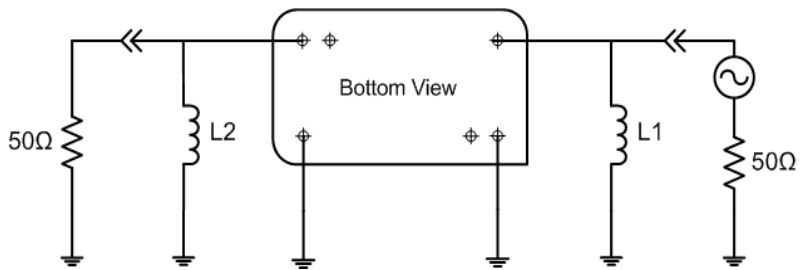
### Specification

Index	Unit	Min	Typical	Max
Center Frequency	MHz	69.92	70.00	70.08
Insertion Loss	dB	-	24.0	25.5
1 dB Bandwidth	MHz	3.80	3.90	-
3 dB Bandwidth	MHz	4.20	4.28	-
40 dB Bandwidth	MHz	-	5.48	5.60
Passband Ripple	dB	-	0.55	1.00
Group Delay Variation	nsec	-	80	150
Absolute Delay	µsec	-	3.78	-
Ultimate Rejection	dB	50	55	-
Substrate Material	-	LiTaO3		
Temperature Coefficient	ppm/°C	-20		
Package	mm	35		

### Package Dimension



### Matching Configuration



L1=L2=120nH  
Source / Load Impedance = 50Ω  
Ambient Temperature = 25°C