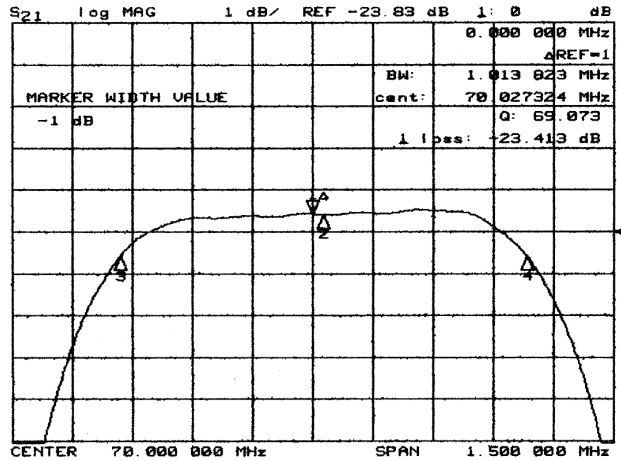
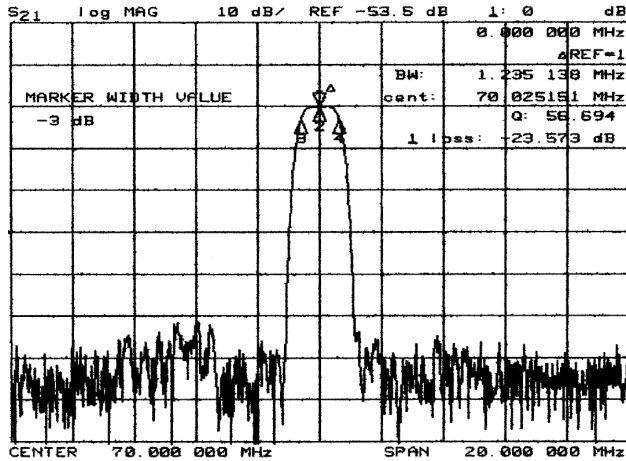


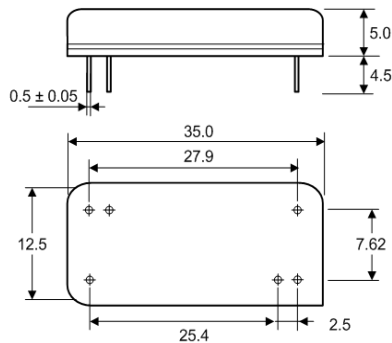
### Typical Performance



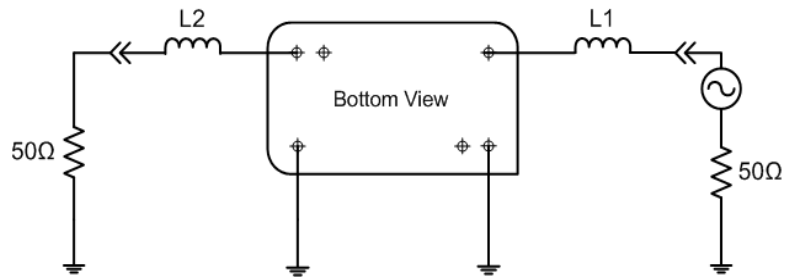
### Specification

Index	Unit	Min	Typical	Max
Center Frequency	MHz	69.92	70.00	70.08
Insertion Loss	dB	-	23.5	25.0
1 dB Bandwidth	MHz	0.90	1.00	-
3 dB Bandwidth	MHz	1.20	1.23	-
40 dB Bandwidth	MHz	-	2.09	2.25
Passband Ripple	dB	-	0.35	0.70
Group Delay Variation	nsec	-	100	200
Absolute Delay	µsec	-	3.56	-
Ultimate Rejection	dB	50	55	-
Substrate Material	-	Quartz		
Temperature Coefficient	ppm/°C	-0.03		
Package	mm	35		

### Package Dimension



### Matching Configuration



L1=L2=180nH  
Source / Load Impedance = 50Ω  
Ambient Temperature = 25°C