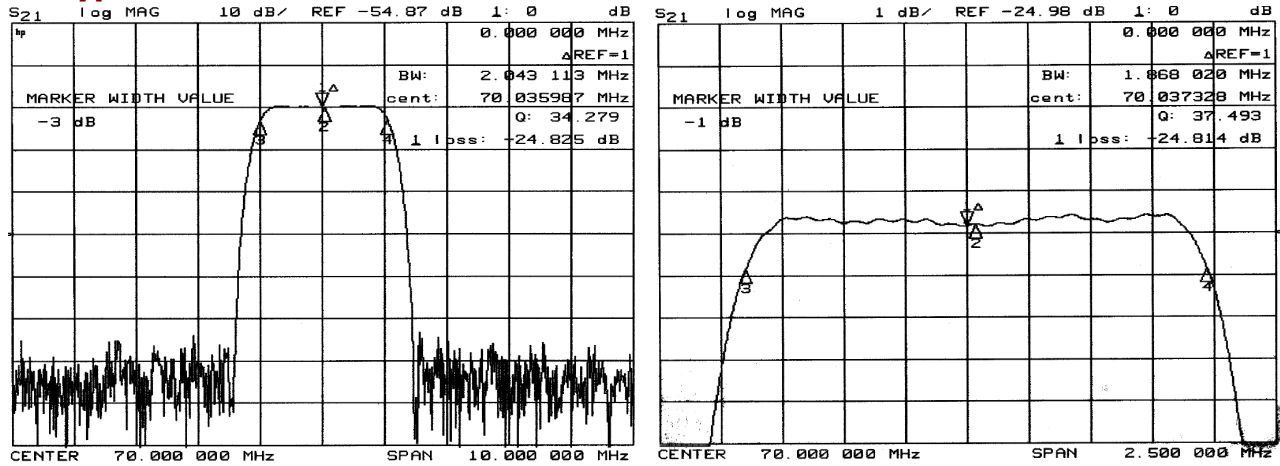


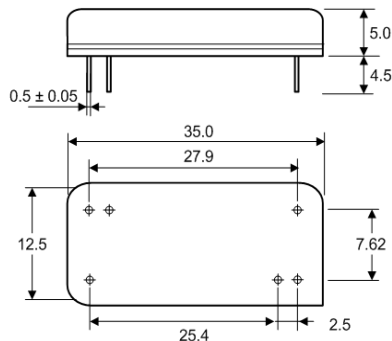
### Typical Performance



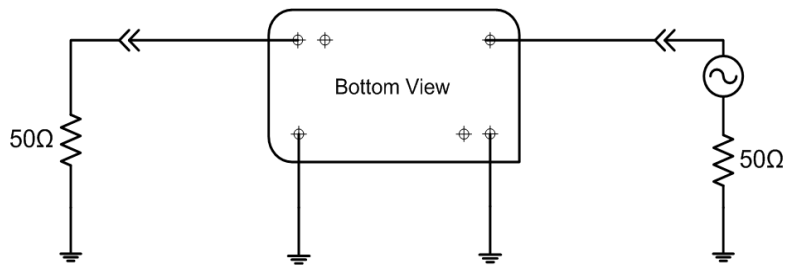
### Specification

Index	Unit	Min	Typical	Max
Center Frequency	MHz	69.92	70.00	70.08
Insertion Loss	dB	-	25.0	26.0
1 dB Bandwidth	MHz	1.80	1.86	-
3 dB Bandwidth	MHz	1.95	2.04	-
40 dB Bandwidth	MHz	-	2.82	2.90
Passband Ripple	dB	-	0.45	0.80
Group Delay Variation	nsec	-	150	300
Absolute Delay	µsec	-	5.00	-
Ultimate Rejection	dB	50	60	-
Substrate Material	-	LiTaO3		
Temperature Coefficient	ppm/°C	-20		
Package	mm	35		

### Package Dimension



### Matching Configuration



No matching required  
 Source / Load Impedance = 50Ω  
 Ambient Temperature = 25°C