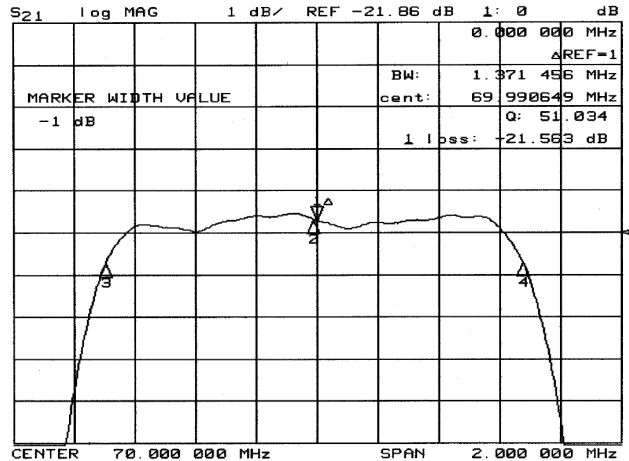
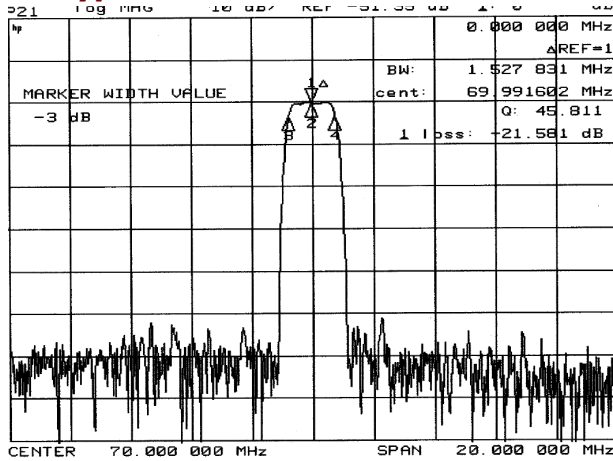


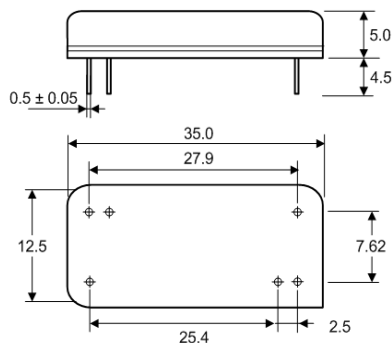
Typical Performance



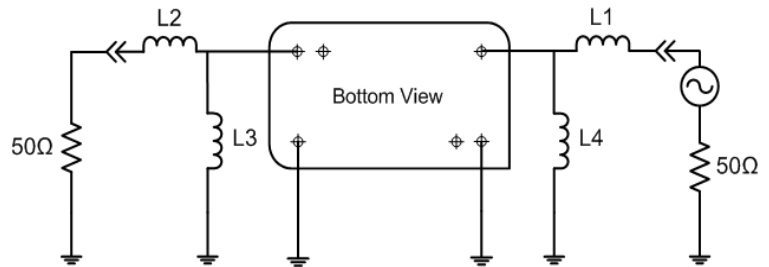
Specification

Index	Unit	Min	Typical	Max
Center Frequency	MHz	69.94	70.00	70.06
Insertion Loss	dB	-	21.5	23.0
1 dB Bandwidth	MHz	1.30	1.37	-
3 dB Bandwidth	MHz	1.45	1.52	-
40 dB Bandwidth	MHz	-	2.23	2.40
Passband Ripple	dB	-	0.55	0.80
Group Delay Variation	nsec	-	150	300
Absolute Delay	µsec	-	3.98	-
Ultimate Rejection	dB	50	55	-
Substrate Material	-	Quartz		
Temperature Coefficient	ppm/°C	-0.03		
Package	mm	35		

Package Dimension



Matching Configuration



L1=L2=180nH, I3=470nH, L4=330nH
Source / Load Impedance = 50Ω
Ambient Temperature = 25°C