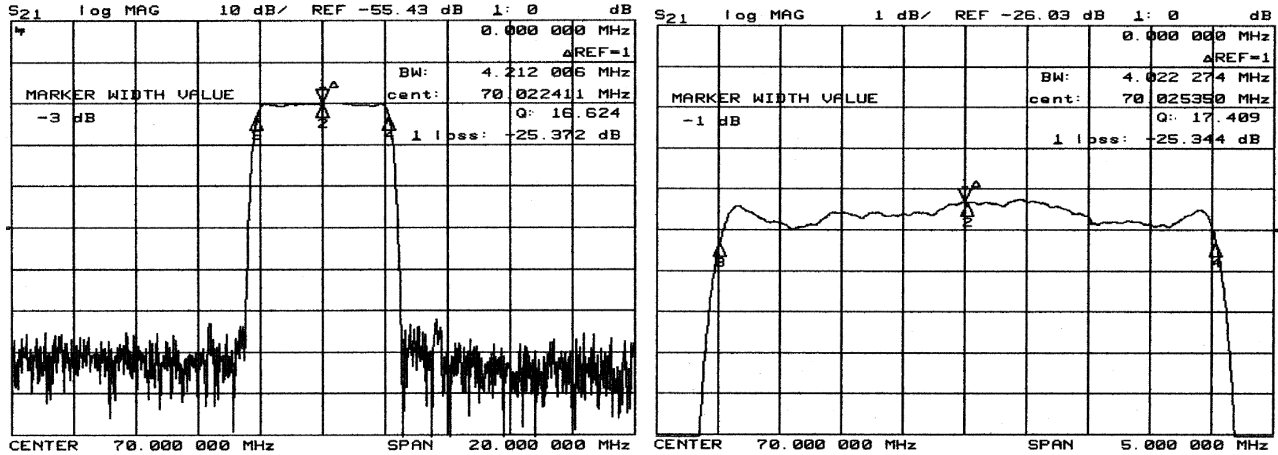


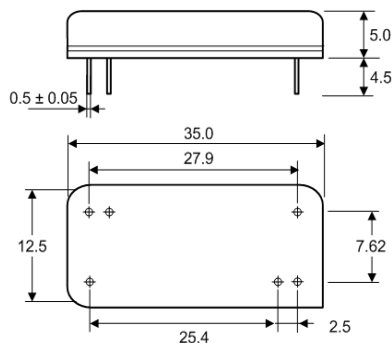
Typical Performance



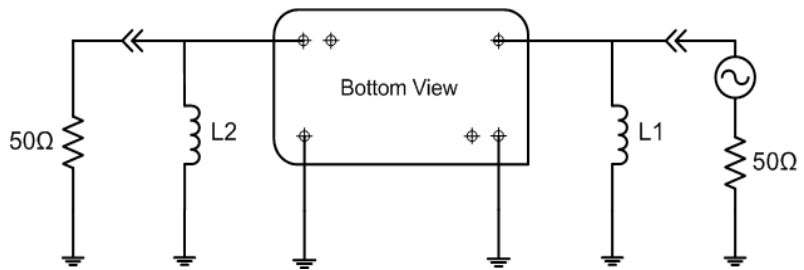
Specification

Index	Unit	Min	Typical	Max
Center Frequency	MHz	69.92	70.00	70.08
Insertion Loss	dB	-	25.5	26.5
1 dB Bandwidth	MHz	4.00	4.02	-
3 dB Bandwidth	MHz	4.20	4.22	-
40 dB Bandwidth	MHz	-	4.87	5.00
Passband Ripple	dB	-	0.75	1.00
Group Delay Variation	nsec	-	200	300
Absolute Delay	µsec	-	5.30	-
Ultimate Rejection	dB	50	55	-
Substrate Material	-	112-LiTaO3		
Temperature Coefficient	ppm/°C	-20		
Package	mm	35		

Package Dimension



Matching Configuration



L1=150nH, L2=150nH
Source / Load Impedance = 50Ω
Ambient Temperature = 25°C