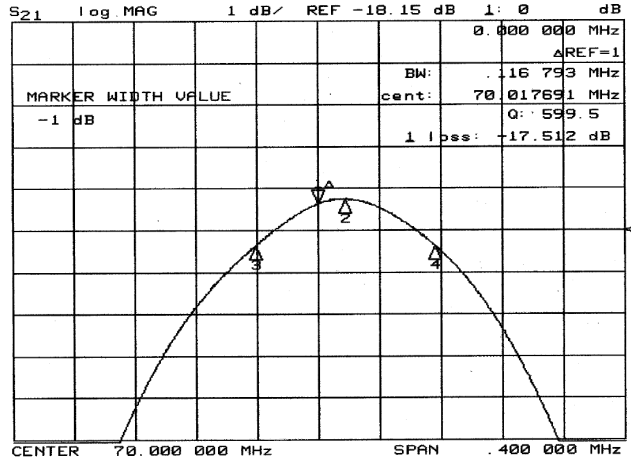
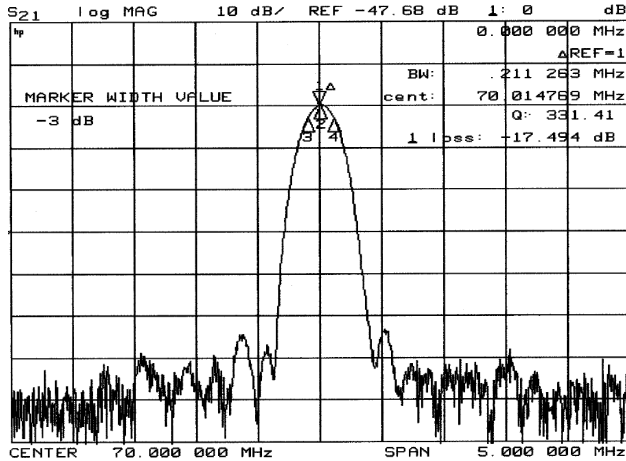


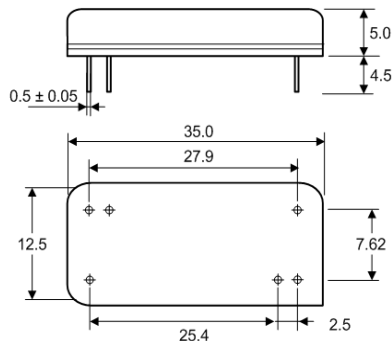
Typical Performance



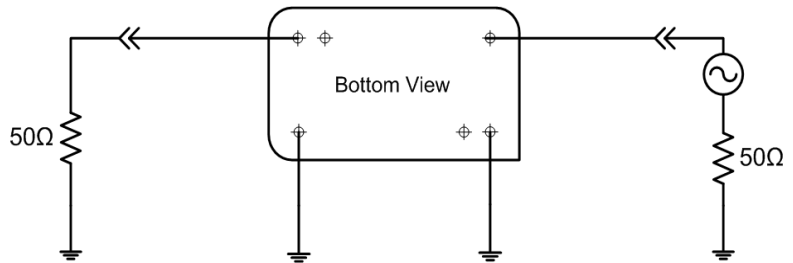
Specification

Index	Unit	Min	Typical	Max
Center Frequency	MHz	69.94	70.00	70.06
Insertion Loss	dB	-	17.5	19.0
1 dB Bandwidth	MHz	0.10	0.12	-
3 dB Bandwidth	MHz	0.18	0.20	-
40 dB Bandwidth	MHz	-	0.65	0.80
Passband Ripple	dB	-	0.35	0.50
Group Delay Variation	nsec	-	300	500
Absolute Delay	µsec	-	4.35	-
Ultimate Rejection	dB	50	55	-
Substrate Material	-	Quartz		
Temperature Coefficient	ppm/°C	-0.03		
Package	mm	35		

Package Dimension



Matching Configuration



No matching required
Source / Load Impedance = 50Ω
Ambient Temperature = 25°C