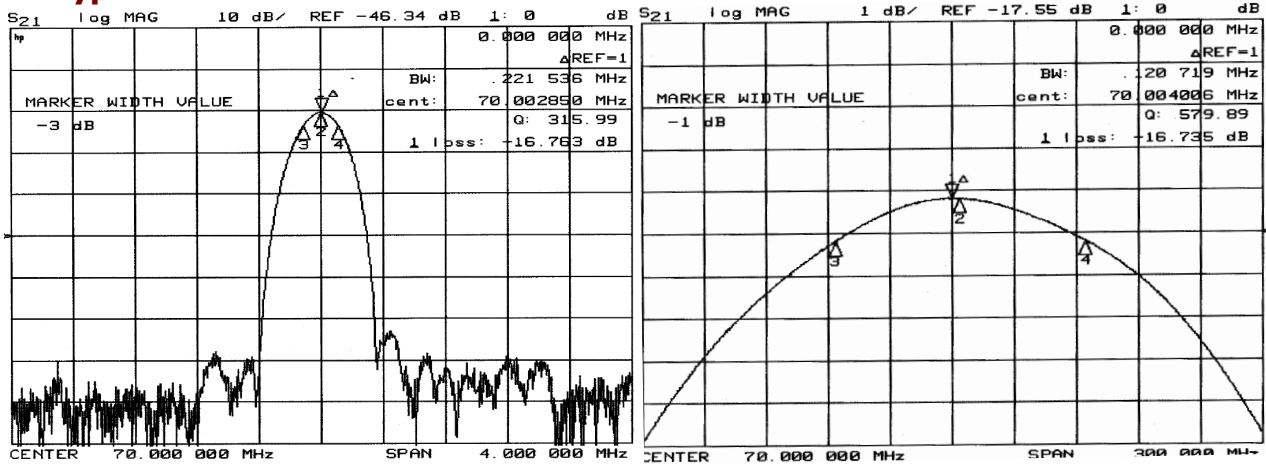


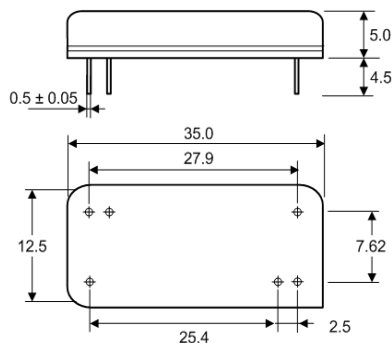
Typical Performance



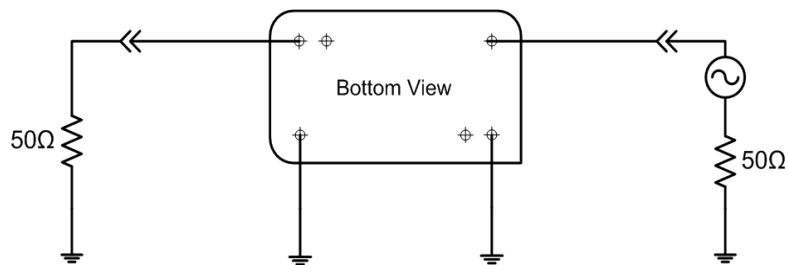
Specification

| Index | Unit | Min | Typical | Max |
|-------------------------|--------|--------|---------|-------|
| Center Frequency | MHz | 69.92 | 70.00 | 70.08 |
| Insertion Loss | dB | - | 17.0 | 18.5 |
| 1 dB Bandwidth | MHz | 0.10 | 0.12 | - |
| 3 dB Bandwidth | MHz | 0.20 | 0.22 | - |
| 40 dB Bandwidth | MHz | - | 0.68 | 0.80 |
| Passband Ripple | dB | - | 0.45 | 0.70 |
| Group Delay Variation | nsec | - | 250 | 300 |
| Absolute Delay | µsec | - | 4.00 | - |
| Ultimate Rejection | dB | 50 | 55 | - |
| Substrate Material | - | Quartz | | |
| Temperature Coefficient | ppm/°C | -0.03 | | |
| Package | mm | 35 | | |

Package Dimension



Matching Configuration



No matching required
Source / Load Impedance = 50Ω
Ambient Temperature = 25°C