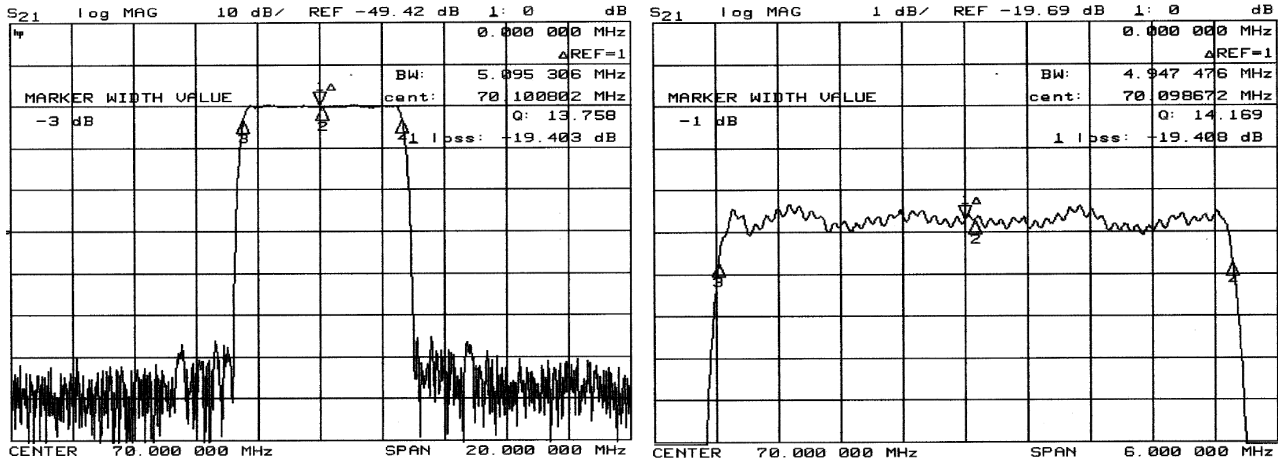


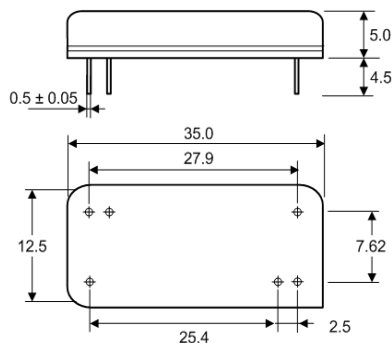
### Typical Performance



### Specification

Index	Unit	Min	Typical	Max
Center Frequency	MHz	69.92	70.00	70.08
Insertion Loss	dB	-	19.5	21.0
1 dB Bandwidth	MHz	4.85	4.94	-
3 dB Bandwidth	MHz	5.00	5.09	-
40 dB Bandwidth	MHz	-	5.78	5.90
Passband Ripple	dB	-	0.65	1.00
Group Delay Variation	nsec	-	100	200
Absolute Delay	µsec	-	4.60	-
Ultimate Rejection	dB	50	60	-
Substrate Material	-	YZ-LiNbO3		
Temperature Coefficient	ppm/°C	-94		
Package	mm	35		

### Package Dimension



### Matching Configuration

