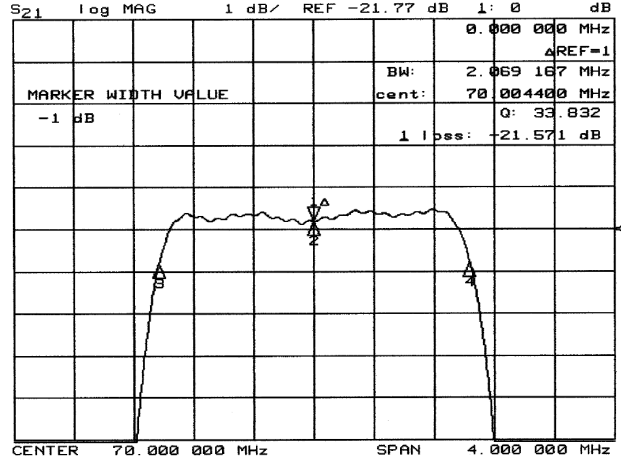
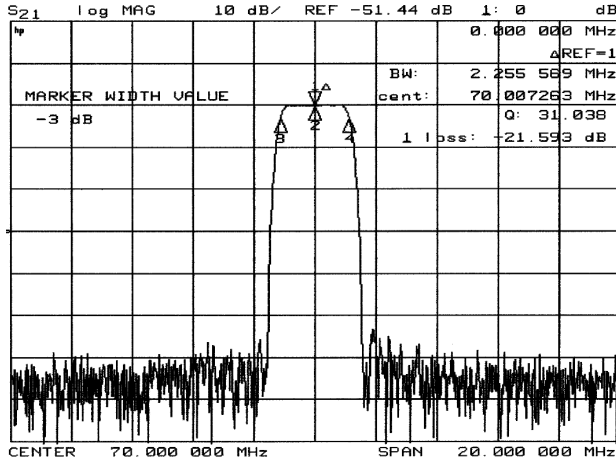


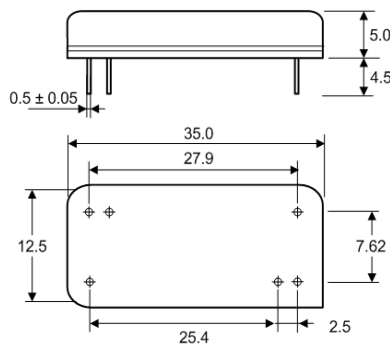
Typical Performance



Specification

Index	Unit	Min	Typical	Max
Center Frequency	MHz	69.92	70.00	70.08
Insertion Loss	dB	-	21.5	23.0
1 dB Bandwidth	MHz	2.00	2.06	-
3 dB Bandwidth	MHz	2.20	2.25	-
40 dB Bandwidth	MHz	-	3.07	3.20
Passband Ripple	dB	-	0.55	0.80
Group Delay Variation	nsec	-	100	200
Absolute Delay	µsec	-	4.90	-
Ultimate Rejection	dB	50	60	-
Substrate Material	-	LiTaO3		
Temperature Coefficient	ppm/°C	-20		
Package	mm	35		

Package Dimension



Matching Configuration

