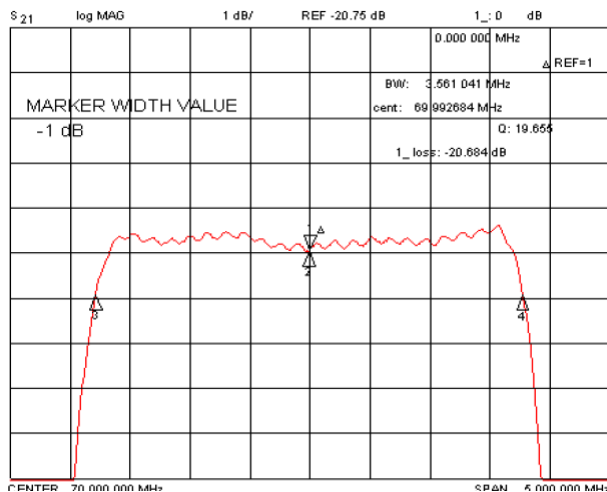
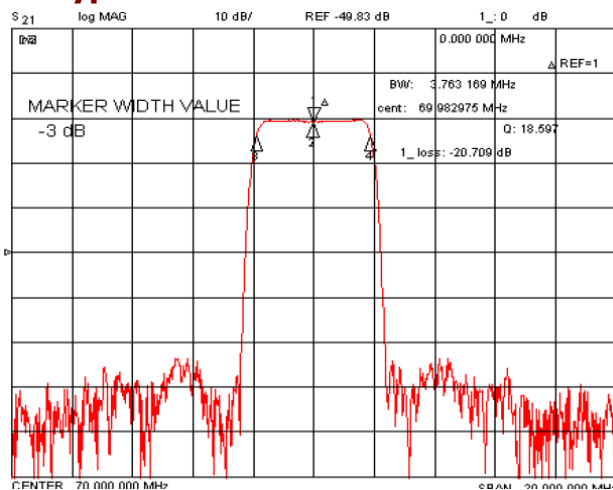


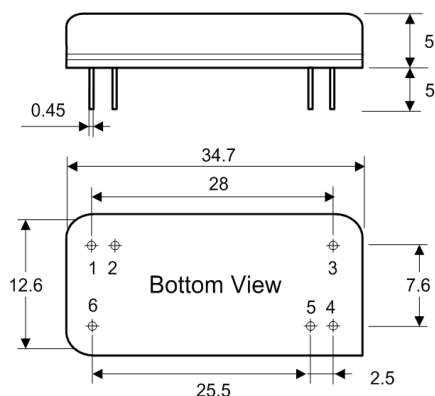
### Typical Performance



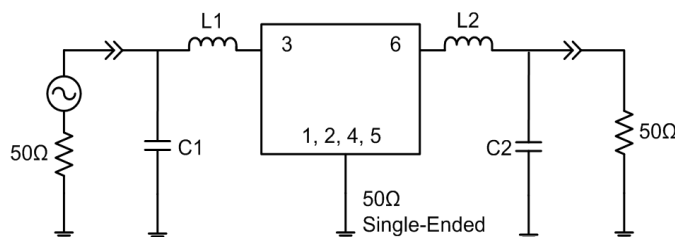
### Specification

Index	Unit	Min	Typical	Max
Center Frequency	MHz	69.92	70.00	70.08
Insertion Loss	dB	-	20.7	23.0
1 dB Bandwidth	MHz	3.45	3.56	-
3 dB Bandwidth	MHz	-	3.76	-
40 dB Bandwidth	MHz	-	4.62	4.75
Passband Ripple	dB	-	0.56	1.00
Group Delay Variation	nsec	-	150	250
Absolute Delay	µsec	-	3.27	-
Ultimate Rejection	dB	25.00		
Package	mm <sup>2</sup>	34.7 x 12.6		
Substrate Material		122-LiTaO <sub>3</sub>		
Temperature Coefficient	ppm/°C	-20		

### Package Dimension



### Matching Configuration



L1=L2=68nH, C1=91pF, C2=110pF  
Source / Load Impedance = 50Ω  
Ambient Temperature = 25°C